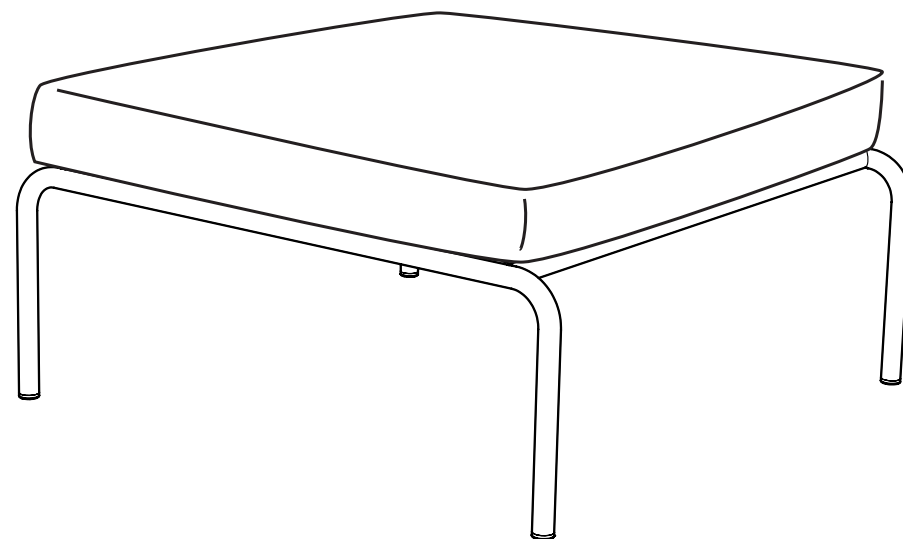

HOUE

AVON OTTOMAN

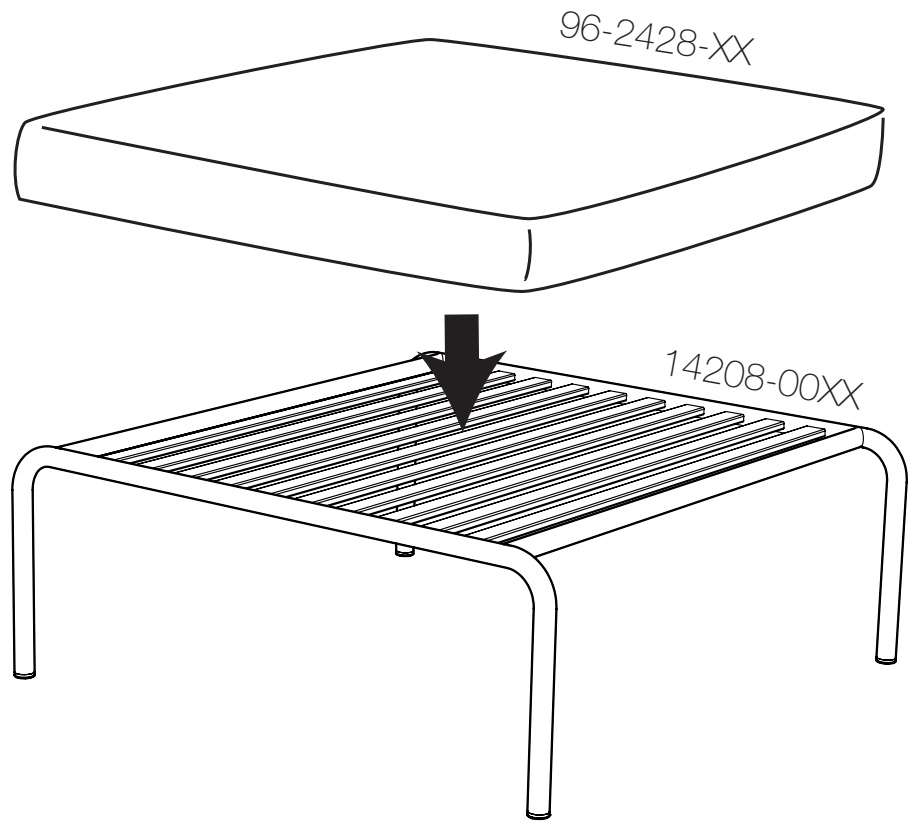
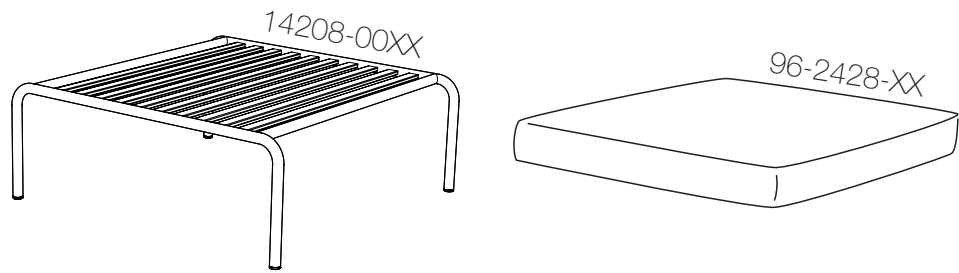
DESIGN BY
HENRIK PEDERSEN



ASSEMBLY INSTRUCTIONS

97-2060

1



2

